

# CXB-60 series *Robustness*

## Incremental Encoder



### ■ *Special features :*

- ▶ Robust design for high vibration and shock resistance
- ▶ Advanced high-reliability optical reading system, good performance in electromagnetic compatibility
- ▶ Overvoltage, overcurrent, surge protection.
- ▶ Output signals HTL or TTL
- ▶ 9-30VDC, Single power supply, polarity protection
- ▶ IP 66
- ▶ 2 years warranty

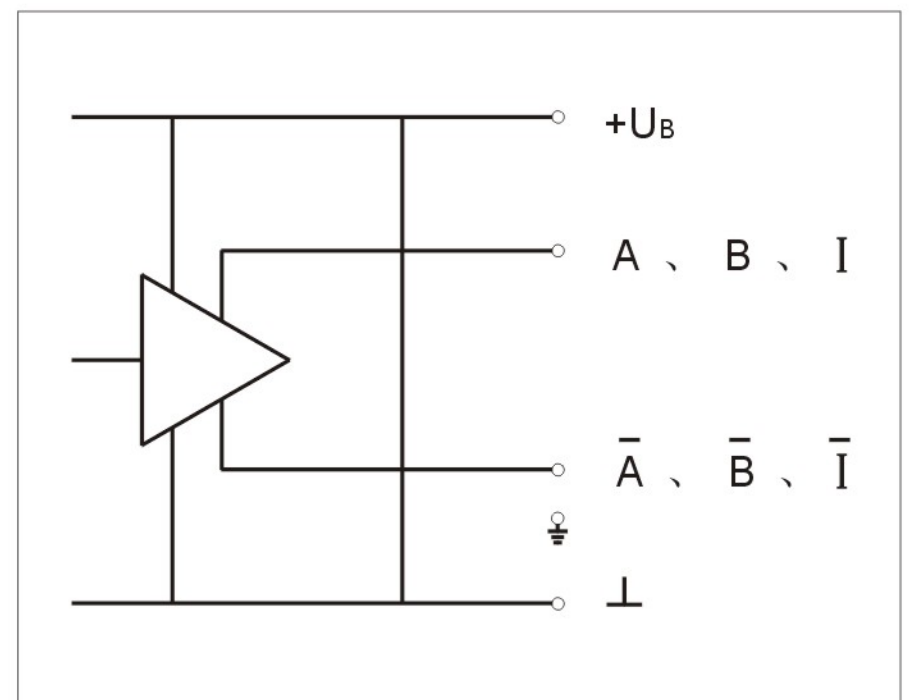
### ■ *Product application:*

- ▶ Applicable for displacement and velocity measurement of heavy equipments under harsh environment

### ■ *Electrical Specification*

Cycles per turn	500 512 600 900 1000 1024 1200 1500 2000 2048
Out frequency	120KHz
Rise time	$\leq 10V/\mu s$
Supply voltage $U_B$	+9V~+30V or +5V
Current consumption at no-load	$\approx 100mA$
Out voltage ( $U_B=24V$ )	$U_L \leq 1.5V; U_H \geq U_B - 3.5V$
Maximum load current per channel	60mA/average; 200mA/peak
Mark space ratio	1:1 $\pm 20\%$
Square wave displacement	$90^\circ \pm 20\%$

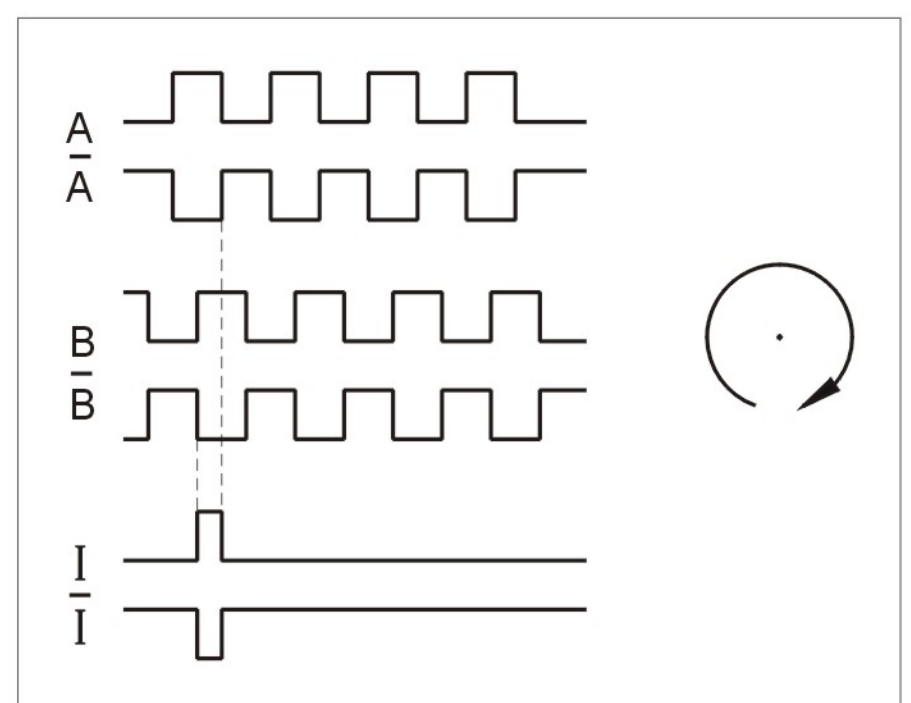
### ■ *Output Circuit*



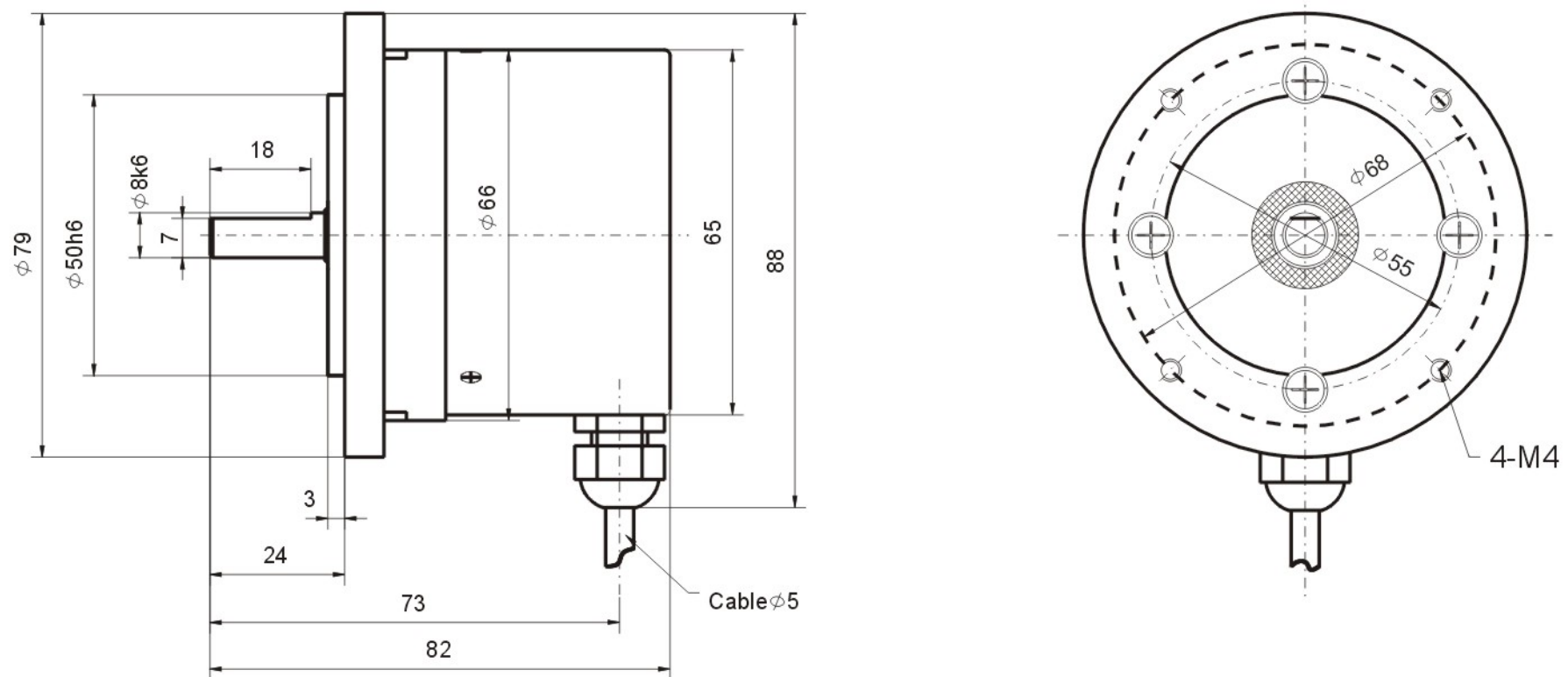
### ■ *Mechanical Specification*

Solid shaft diameter	$\phi 8mm$ Stainless steel
Moment of inertia	$\approx 30gcm^2$
Speed max	$\leq 6000r/min$
Driving torque	$\approx 0.01N \cdot m$
Maximum shaft load	Axial 20N; radial 30N
Vibration resistance	$\leq 10G/55\sim 2000Hz$
Shock resistance	$\leq 100G/6ms$
Permissible encoder temperature	$-40^\circ C \sim +85^\circ C$
Protection class	IP66
Weight	$\approx 0.5Kg$

### ■ *Output Signals*



## ■ Dimensions



## ■ CONNECTION

颜色 Colour	红 RED	黑 BLK	棕 BRN	蓝色 BLU	灰 GRA	屏蔽线 SHLD
信号 Signal	+9~+30V	0V	A	B	Index (零位信号)	Body

Remarks: According to the customer demand can increase  $\bar{A}$ 、 $\bar{B}$ 、 $\bar{I}$  signal output.

## ■ Ordering Information

<b>CXB</b>	<b>60</b>	<b>3</b>	<b>512</b>	<b>A</b>
Manufacturer: CXB	Type: 60 Series Robustness Incremental	Codewheel materials: 1. Glass; 2. Plastic; 3. Metal	Cycles per turn: 500 512 600 900 1000 1024 1200 1500 2000 2048 (Other needs contact with the manufacturer)	A:HTL; B:TTL

Remarks: Technical modifications reserved.

## ■ Guarantee

2 years warranty within the conditions of Normal use and maintenance.



深圳市英科達光電技術有限公司  
Shenzhen ENCODER Optics-Electronics Technology Co., Ltd  
Tel: +86-0755-26683042; Fax: +86-0755-26686503  
E-mail: support@sz-encoder.com