

Incremental Encoder



■ *Special features :*

- ▶ Robust design for high vibration and shock resistance
- ▶ Advanced high-reliability optical reading system, good performance in electromagnetic compatibility
- ▶ Overvoltage, overcurrent, surge protection
- ▶ HTL or TTL
- ▶ 9-30VDC, Single power supply, polarity protection
- ▶ IP 54
- ▶ 2 years warranty

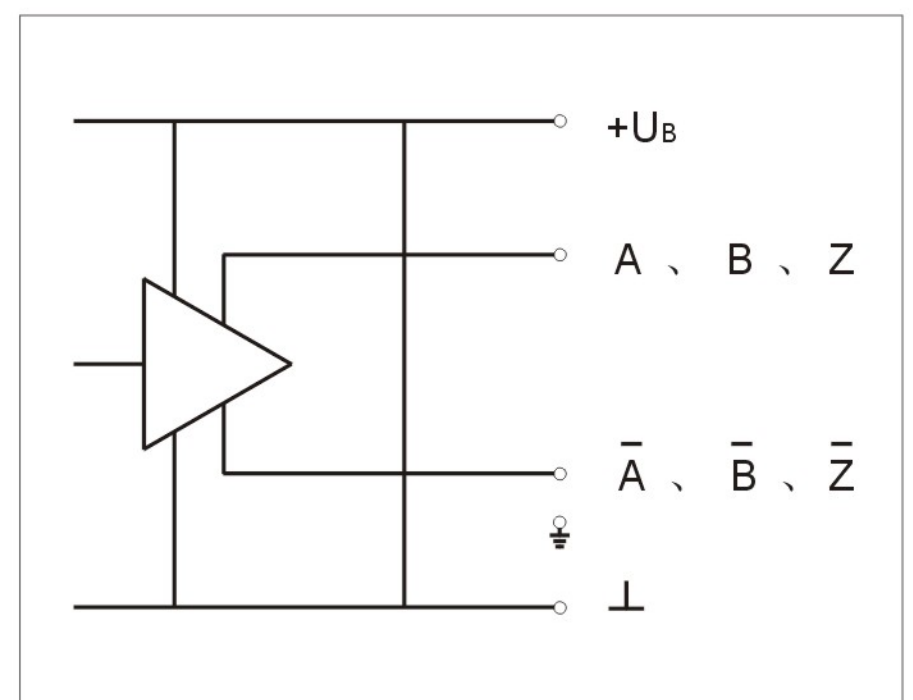
■ *Product application:*

- ▶ Applicable for displacement and velocity measurement of heavy equipments under harsh environment

■ *Electrical Specification*

Cycles per turn	512 600 1000 1024 2000 2048
Out frequency	120KHz
Rise time	$\leq 10V/\mu s$
Supply voltage U_B	+9V~+30V or +5V
Current consumption at no-load	$\approx 100mA$
Out voltage ($U_B=24V$)	$U_L \leq 1.5V; U_H \geq U_B - 3.5V$
Maximum load current per channel	60mA/average; 200mA/peak
Mark space ratio	1:1 $\pm 20\%$
Square wave displacement	90° $\pm 20\%$

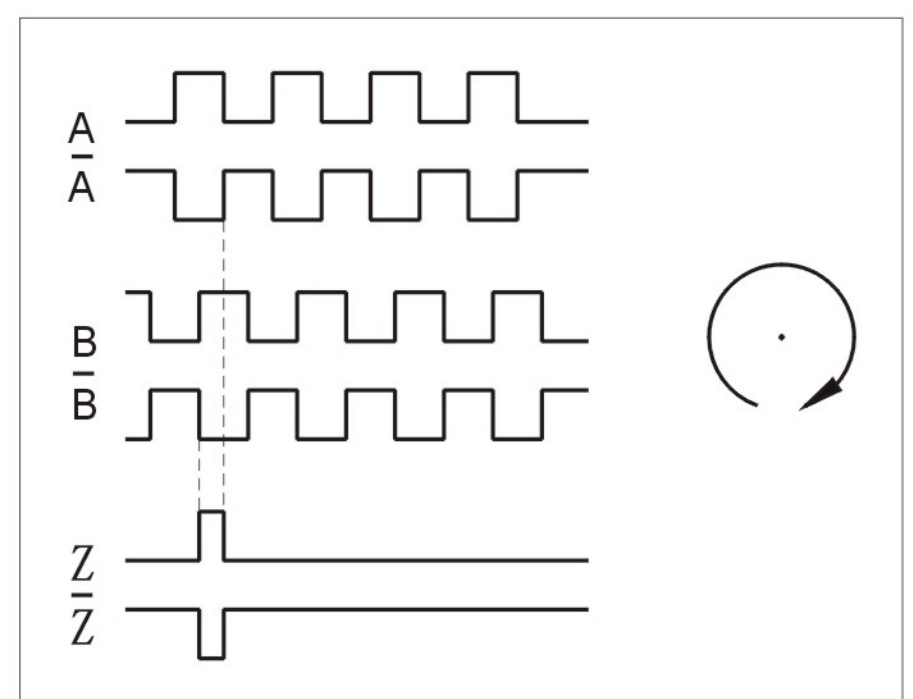
■ *Output Circuit*



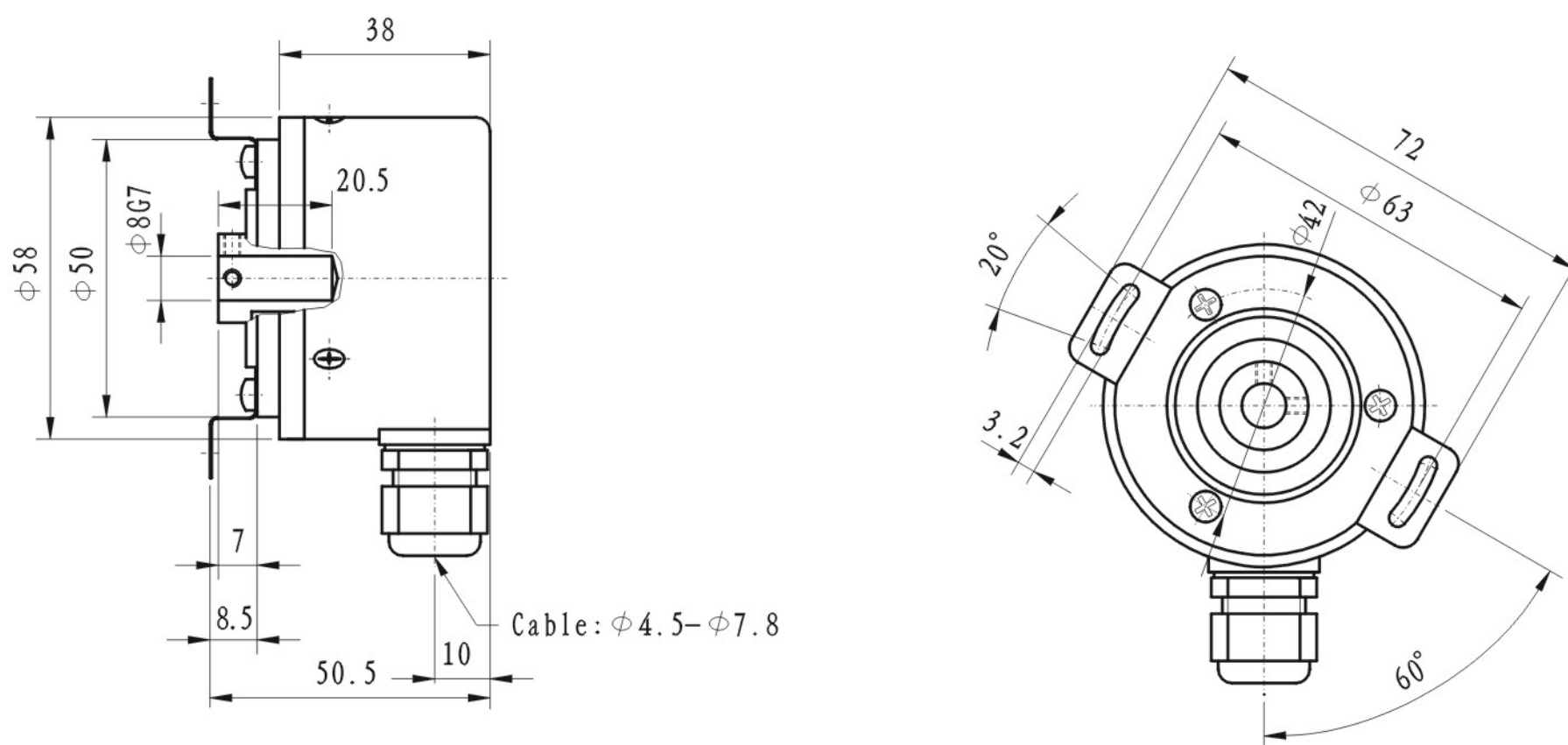
■ *Mechanical Specification*

Hollow shaft diameter	$\phi 6 / \phi 8 / \phi 10 / \phi 12 / \phi 15$ Stainless steel
Moment of inertia	$\approx 50 gcm^2$
Speed max	$\leq 6000 r/min$
Driving torque	$\approx 0.01 N \cdot m$
Maximum shaft load	Axial 50N; radial 100N
Vibration resistance	$\leq 10G / 55 \sim 2000Hz$
Shock resistance	$\leq 100G / 6ms$
Permissible encoder temperature	-40°C ~ +85°C
Protection class	IP54
Weight	$\approx 0.2Kg$

■ *Output Signals*



■ **Dimensions**



■ **Connection**

颜色 Colour	红 RED	黑 BLK	棕 BRN	蓝 BLU	灰 GRA	黄 YEL	绿 GRN	白 WHT	屏蔽线 SHLD
编号 Pin	1	2	3	4	5	6	7	8	9
信号 Signal	+Vdc	0V	A	B	Z	\bar{A}	\bar{B}	\bar{Z}	Body

■ **Ordering Information**

CXB — 63 A — 58 / 08 — 1024 — A

Manufacturer: CXB

Type: 63 Series Robustness Incremental

A: Through hollow shaft B: Blind hollow shaft

Body dimension: $\phi 58 / \phi 60 / \phi 62$ mm

Hollow shaft diameter: $\phi 6 / \phi 8 / \phi 10 / \phi 12 / \phi 15$ mm

Connection: A Cable
B Domestic connector
C Imports connector

Cycles per turn: 512, 600, 1000, 1024, 2000, 2048
(Other needs contact with the manufacturer)

Remarks: Technical modifications reserved.

■ **Guarantee**

2 years warranty within the conditions of Normal use and maintenance.



深圳市英科達光電技術有限公司

Shenzhen ENCODER Optics-Electronics Technology Co., Ltd

Tel: +86-0755-26683042; Fax: +86-0755-26686503

E-mail: support@sz-encoder.com

WWW.SZ-ENCODER.COM