

# CXB-67 series *Robustness*

## Incremental Encoder



### ■ *Special features :*

- ▶ Robust design for high vibration and shock resistance
- ▶ Advanced high-reliability optical reading system, good performance in electromagnetic compatibility
- ▶ Overvoltage, overcurrent, surge protection
- ▶ HTL or TTL
- ▶ 9-30VDC, Single power supply, polarity protection
- ▶ IP 56
- ▶ 2 years warranty

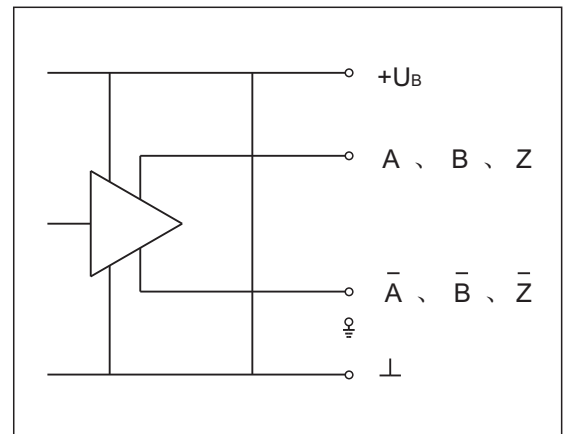
### ■ *Product application:*

- ▶ Applicable for displacement and velocity measurement of heavy equipments under harsh environment

### ■ *Electrical Specification*

Cycles per turn	500 512 600 1000 1024 1200 1500 2000 2048
Out frequency	120KHz
Rise time	$\leq 10V/\mu s$
Supply voltage $U_B$	+9V~+30V or +5V
Current consumption at no-load	$\approx 100mA$
Out voltage ( $U_B=24V$ )	$U_L \leq 1.5V; U_H \geq U_B - 3.5V$
Maximum load current per channel	60mA/average; 200mA/peak
Mark space ratio	1:1 $\pm 20\%$
Square wave displacement	$90^\circ \pm 20\%$

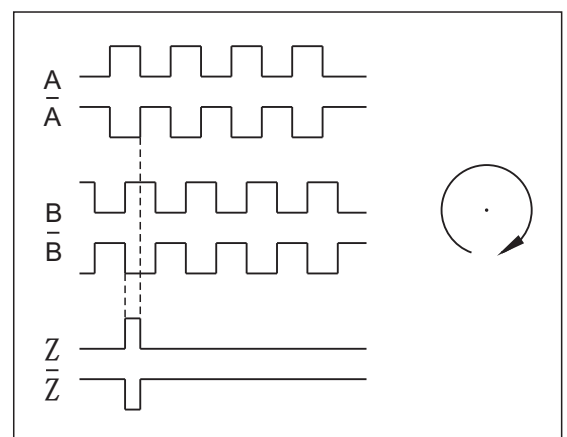
### ■ *Output Circuit*



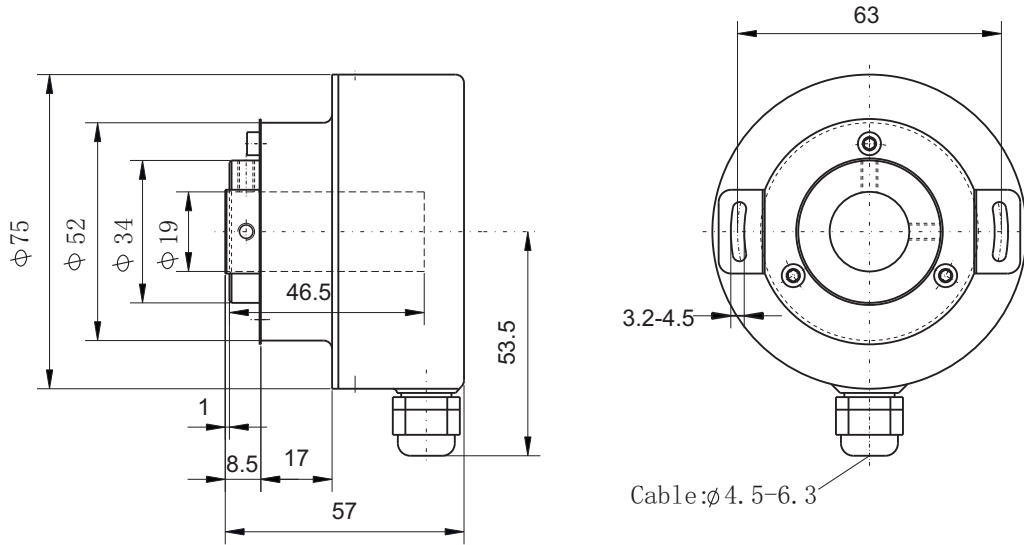
### ■ *Mechanical Specification*

Hollow shaft diameter	$\phi 12 \sim 20$ Stainless steel
Moment of inertia	$\approx 450 gcm^2$
Speed max	$\leq 4000 r/min$
Driving torque	$\approx 0.05 N \cdot m$
Maximum shaft load	Axial 50N; radial 100N
Vibration resistance	$\leq 10G/55 \sim 2000Hz$
Shock resistance	$\leq 100G/6ms$
Permissible encoder temperature	$-45^\circ C \sim +85^\circ C$
Protection class	IP56
Weight	$\approx 0.5 Kg$

### ■ *Output Signals*



■ **Dimensions**



■ **CONNECTION**

颜色 Colour	红 RED	黑 BLK	棕 BRN	蓝 BLU	灰 GRA	黄 YEL	绿 GRN	白 WHT	屏蔽线 SHLD
编号 Pin	1	2	3	4	5	6	7	8	9
信号 Signal	+Vdc	0V	A	B	Z	$\bar{A}$	$\bar{B}$	$\bar{Z}$	Body

■ **Ordering Information**

**CXB — 67 A — 75 / 19 — 1024 — A A**

Manufacturer: CXB

Type: 67 Series Robustness Incremental

A: Through hollow shaft B: Blind hollow shaft

Body dimension:  $\phi 75\text{mm}$

Hollow shaft diameter:  $\phi 12 \sim \phi 20\text{mm}$

Not specified: Straight hole  
B: Keyway hole

Connection: A Cable  
B Connector

Cycles per turn: 500 512 600 1000 1024  
1200 1500 2000 2048  
(Other needs contact with the manufacturer)

Remarks: Technical modifications reserved.

■ **Guarantee**

2 years warranty within the conditions of Normal use and maintenance.



深圳市英科達光電技術有限公司

Shenzhen ENCODER Optics-Electronics Technology Co., Ltd

Tel: +86-0755-26683042; Fax: +86-0755-26686503

E-mail: support@sz-encoder.com

[WWW.SZ-ENCODER.COM](http://WWW.SZ-ENCODER.COM)