

CXB-70 series *Robustness*

Incremental Encoder



■ *Special features* :

- ▶ Robust design for high vibration and shock resistance
- ▶ Advanced high-reliability optical reading system, good performance in electromagnetic compatibility
- ▶ Overvoltage, overcurrent, surge protection.
- ▶ Output signals HTL or TTL
- ▶ 9-30VDC, Single power supply, polarity protection
- ▶ IP 54
- ▶ 2 years warranty

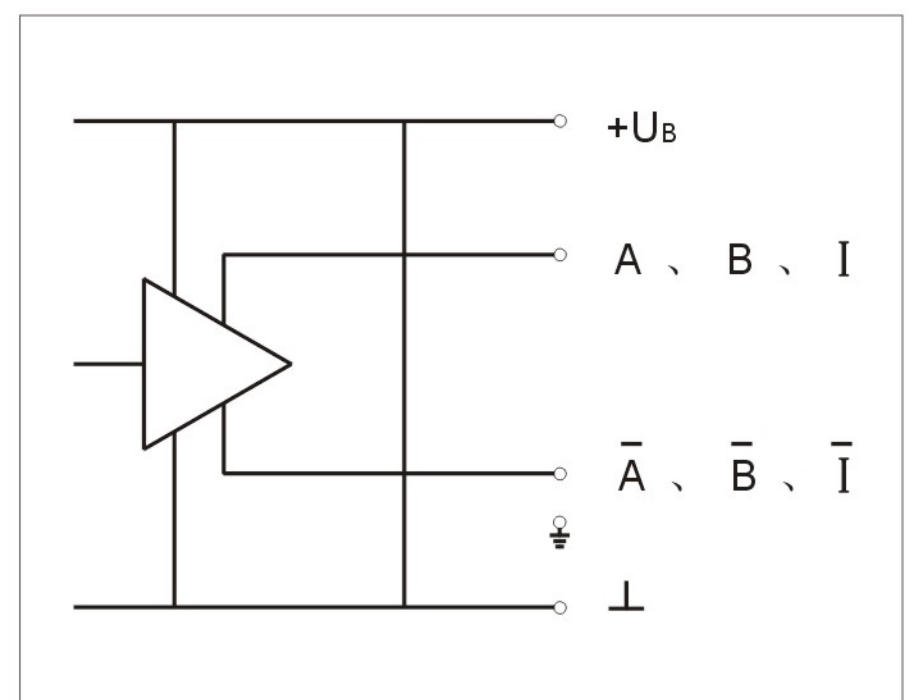
■ *Product application:*

- ▶ Applicable for displacement and velocity measurement of heavy equipments under harsh environment

■ *Electrical Specification*

Cycles per turn	500 512 600 1000 1024 2000 2048
Out frequency	120KHz
Rise time	$\leq 10V/\mu s$
Supply voltage U_B	+9V~+30V or +5V
Current consumption at no-load	$\approx 100mA$
Out voltage ($U_B=24V$)	$U_L \leq 1.5V$; $U_H \geq U_B - 3.5V$
Maximum load current per channel	60mA/average; 200mA/peak
Mark space ratio	1:1 $\pm 20\%$
Square wave displacement	$90^\circ \pm 20\%$

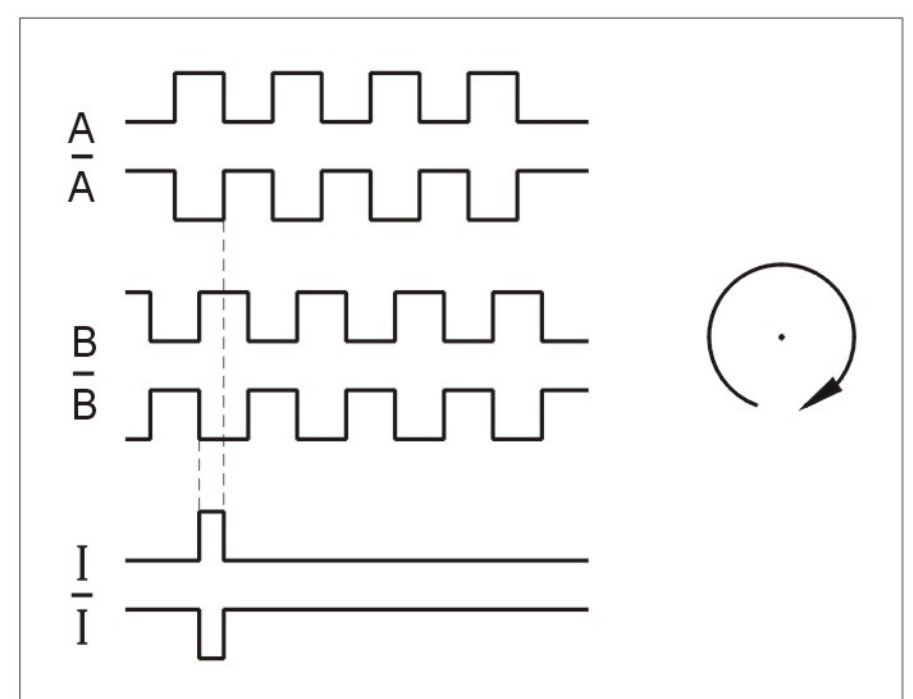
■ *Output Circuit*



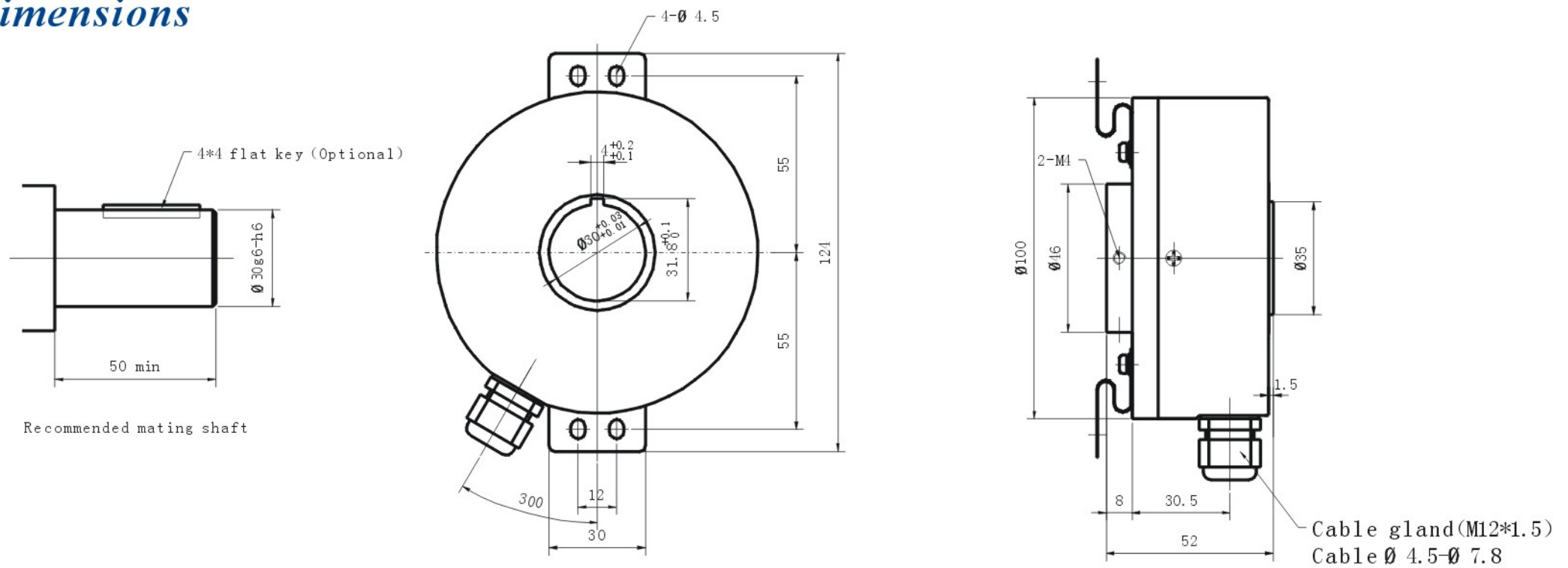
■ *Mechanical Specification*

Hollow shaft diameter	$\phi 20 \phi 25 \phi 30mm$ Stainless steel
Moment of inertia	$\approx 300gcm^2$
Speed max	$\leq 5000r/min$
Driving torque	$\approx 0.06N \cdot m$
Maximum shaft load	Axial 60N; radial 130N
Vibration resistance	$\leq 10G/55 \sim 2000Hz$
Shock resistance	$\leq 50G/6ms$
Permissible encoder temperature	$-40^\circ C \sim +85^\circ C$
Protection class	IP54
Weight	$\approx 0.9Kg$

■ *Output Signals*



■ Dimensions

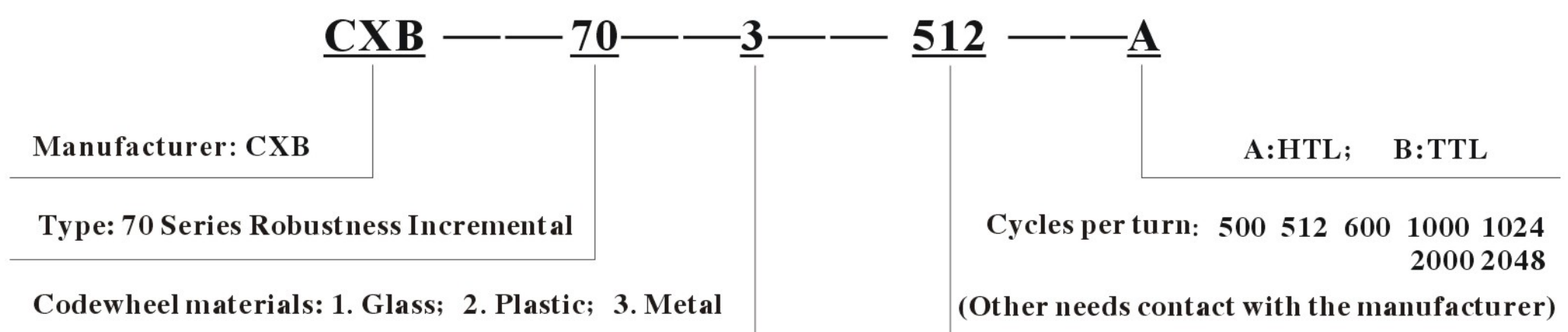


■ connection

颜色 Colour	红 RED	黑 BLK	棕 BRN	蓝色 BLU	灰 GRA	屏蔽线 SHLD
信号 Signal	+9~+30V	0V	A	B	Index (零位信号)	Body

Remarks: According to the customer demand can increase I, \bar{A} , \bar{B} , \bar{I} signal output.

■ Ordering Information



Remarks: Technical modifications reserved.

■ Guarantee

2 years warranty within the conditions of Normal use and maintenance.



深圳市英科達光電技術有限公司
Shenzhen ENCODER Optics-Electronics Technology Co., Ltd
Tel: +86-0755-26683042; Fax: +86-0755-26686503
E-mail: support@sz-encoder.com