

CXB-72 series *Robustness*

Incremental Encoder



■ *Special features* :

- ▶ Robust design for high vibration and shock resistance
- ▶ Advanced high-reliability optical reading system, good performance in electromagnetic compatibility
- ▶ Overvoltage, overcurrent, surge protection
- ▶ HTL or TTL
- ▶ 9-30VDC, Single power supply, polarity protection
- ▶ IP 54
- ▶ 2 years warranty

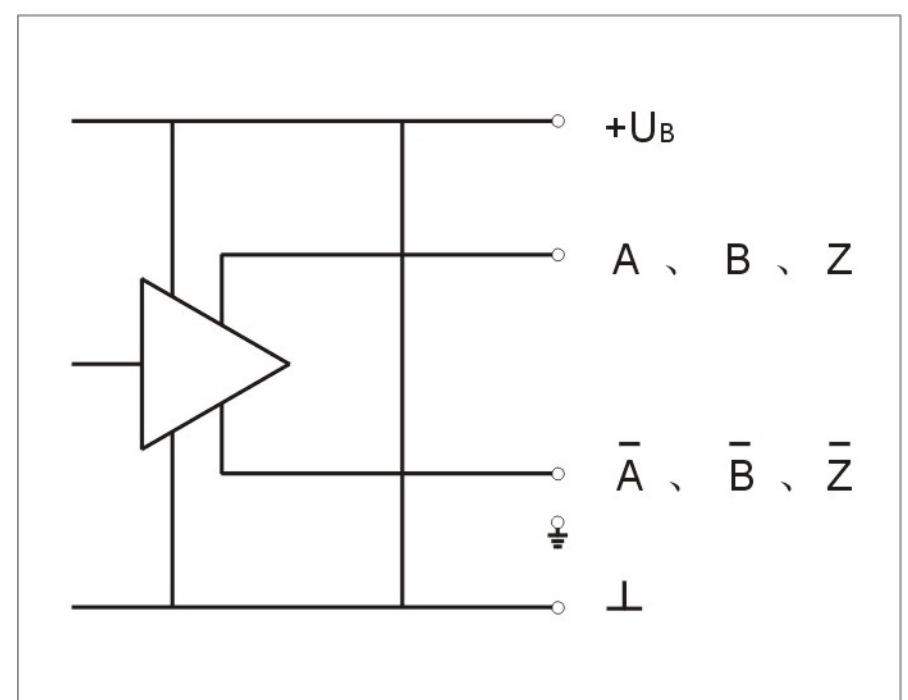
■ *Product application:*

- ▶ Applicable for displacement and velocity measurement of heavy equipments under harsh environment

■ *Electrical Specification*

Cycles per turn	512 600 1000 1024 2000 2048 4096
Out frequency	120KHz
Rise time	$\leq 10V/\mu s$
Supply voltage U_B	+9V~+30V or +5V
Current consumption at no-load	$\approx 100mA$
Out voltage ($U_B=24V$)	$U_L \leq 1.5V$; $U_H \geq U_B - 3.5V$
Maximum load current per channel	60mA/average; 200mA/peak
Mark space ratio	1:1 $\pm 20\%$
Square wave displacement	90° $\pm 20\%$

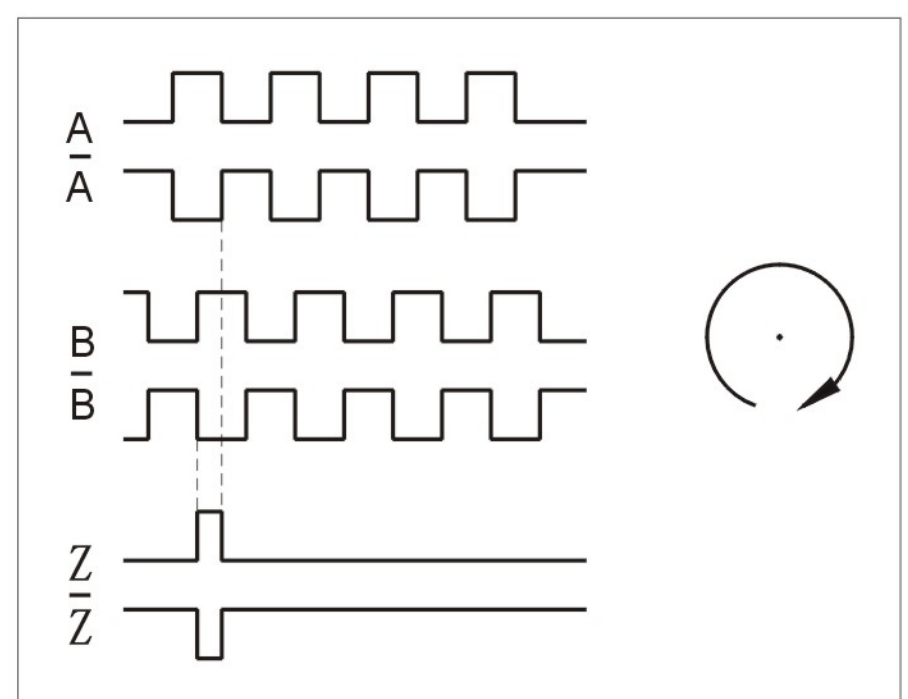
■ *Output Circuit*



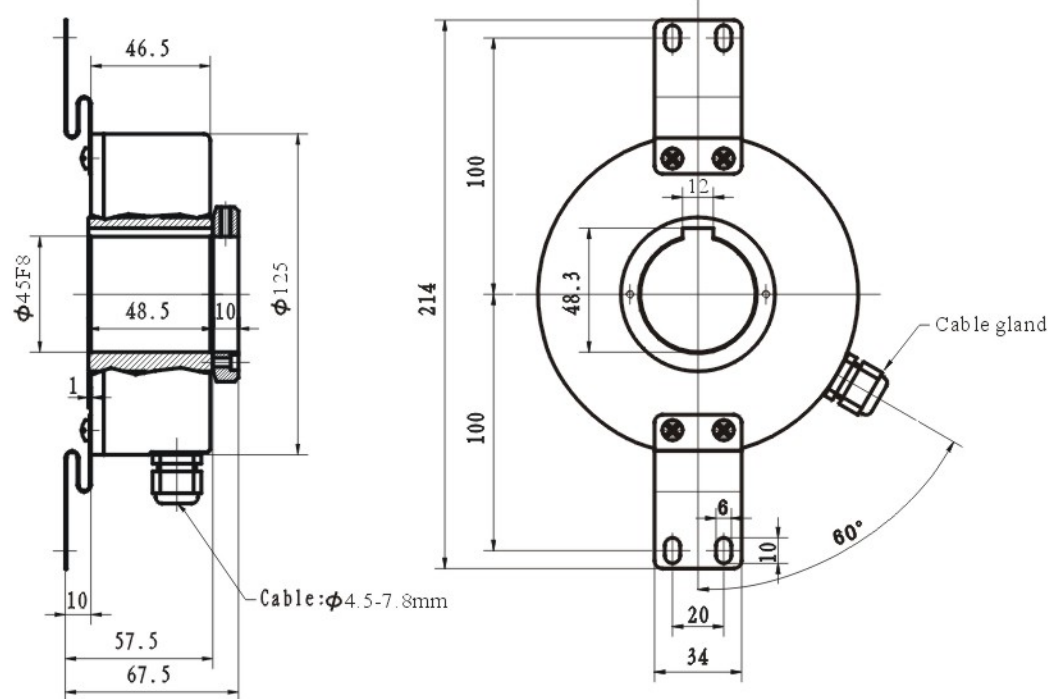
■ *Mechanical Specification*

Hollow shaft diameter	$\phi 30/35/38/40/42/45$
Moment of inertia	$\approx 1300gcm^2$
Speed max	$\leq 4000r/min$
Driving torque	$\approx 0.10N \cdot m$
Maximum shaft load	Axial 90N; radial 180N
Vibration resistance	$\leq 10G/55\sim 2000Hz$
Shock resistance	$\leq 100G/6ms$
Permissible encoder temperature	-40°C ~ +85°C
Protection class	IP54
Weight	$\approx 1.6Kg$

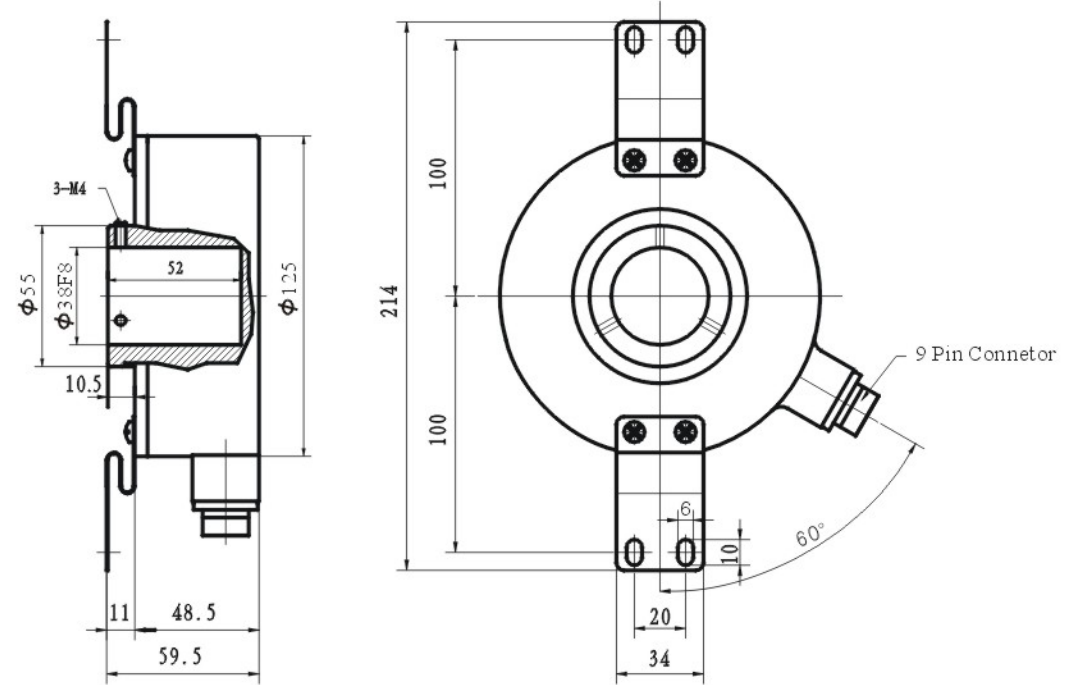
■ *Output Signals*



■ Dimensions



CXB-72A Through hollow shaft



CXB-72B Blind hollow shaft

Remarks:

- 1) The following installation modes on the motor shaft are available:
 - ① Head set screw
 - ② Rear set screw
 - ③ Clamping ring
- 2) The following installation modes on the motor shell are available:
 - ① Stator coupling
 - ② Torque arm

■ Connection

颜色 Colour	红 RED	黑 BLK	棕 BRN	蓝 BLU	灰 GRA	黄 YEL	绿 GRN	白 WHT	屏蔽线 SHLD
编号 Pin	1	2	3	4	5	6	7	8	9
信号 Signal	+Vdc	0V	A	B	Z	\bar{A}	\bar{B}	\bar{Z}	Body

■ Ordering Information

CXB — 72 A — 125 / 38 — 1024 — A A

Manufacturer: CXB

Type: 72 Series Robustness Incremental

A: Through hollow shaft B: Blind hollow shaft

Body dimension: ϕ 120/125/130 mm

Hollow Shaft diameter: ϕ 30/35/38/40/42/45 mm

Remarks: Technical modifications reserved.

Not specified: Straight hole
B: Keyway hole

Connection: A Cable
B Connector

Cycles per turn: 512, 600, 1000, 1024,
2000, 2048, 4096

(Other needs contact with the manufacturer)

■ Guarantee

2 years warranty within the conditions of Normal use and maintenance.



深圳市英科達光電技術有限公司

Shenzhen ENCODER Optics-Electronics Technology Co., Ltd

Tel: +86-0755-26683042; Fax: +86-0755-26686503

E-mail: support@sz-encoder.com

WWW.SZ-ENCODER.COM