

Incremental Encoder



- ▶ Special rugged housing for high vibration and shock resistance
- ▶ HeavyDuty design for high shaft load
- ▶ Hollow shaft up to $\phi 20$ mm or $\phi 17$ mm cone 1:10
- ▶ Advanced high-reliability optical reading system, good performance in electromagnetic compatibility
- ▶ Overvoltage, overcurrent, surge protection.
- ▶ HTL or TTL
- ▶ 9-30VDC, Single power supply, polarity protection
- ▶ Electrically insulated up to 2.5 Kv (CXB-98A)
- ▶ IP56
- ▶ 2 years warranty

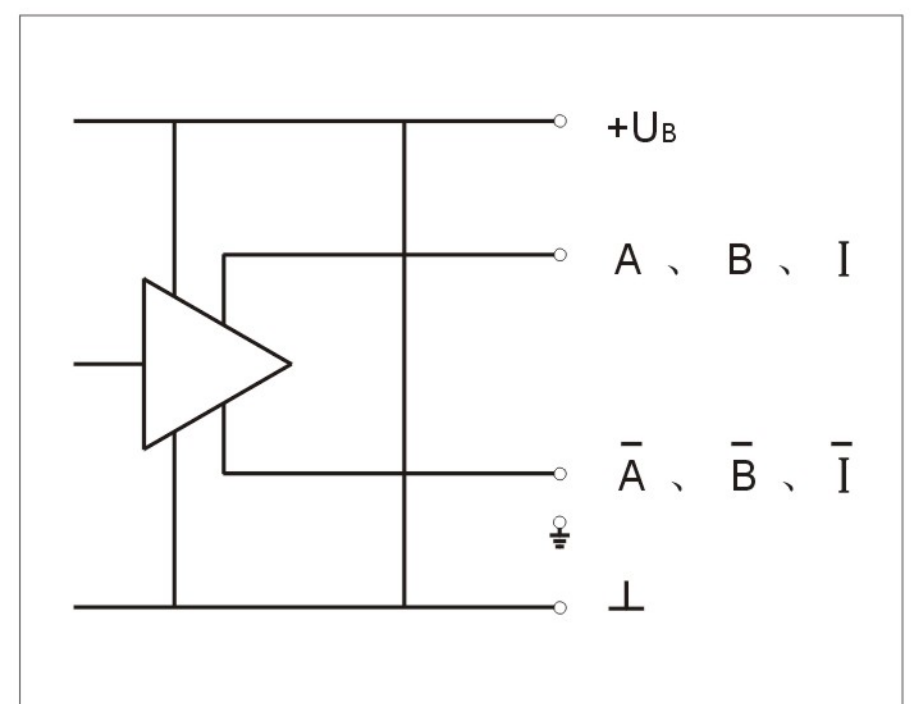
■ *Product application:*

- ▶ Applicable for displacement and velocity measurement of power generator and other heavy equipments under extremely harsh environment

■ *Electrical Specification*

Cycles per turn	1000 1024 2000 2048 3072
Out frequency	120KHz
Rise time	$\leq 10V/\mu s$
Supply voltage U_B	+9V ~ +30V
Current consumption at no-load	$\approx 100mA$
Out voltage ($U_B=24V$)	$U_L \leq 1.5V$; $U_H \geq U_B - 3.5V$
Maximum load current per channel	60mA/average; 200mA/peak
Mark space ratio	1:1 $\pm 20\%$
Square wave displacement	$90^\circ \pm 20\%$

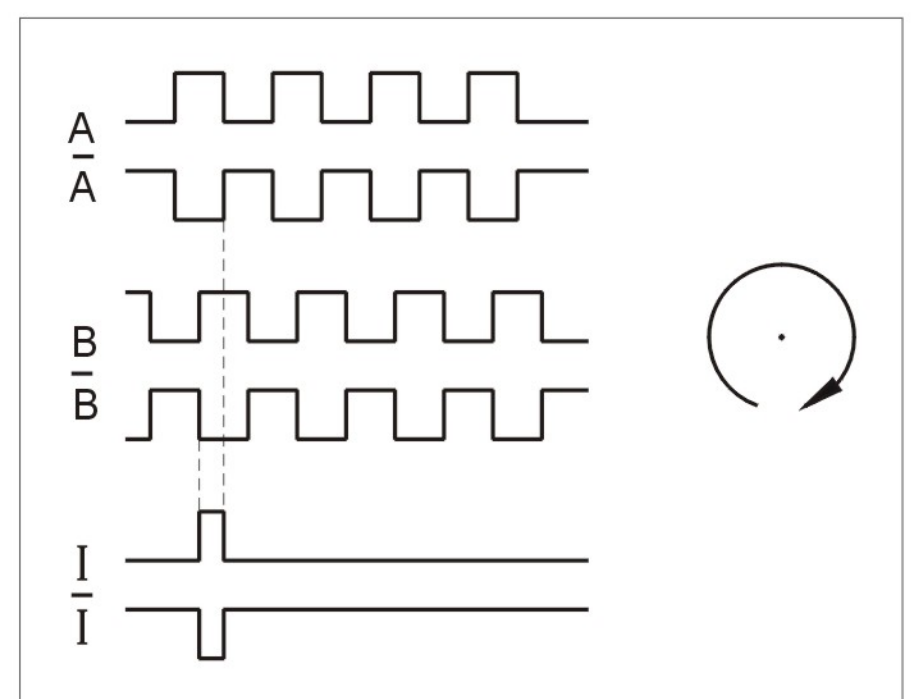
■ *Output Circuit*



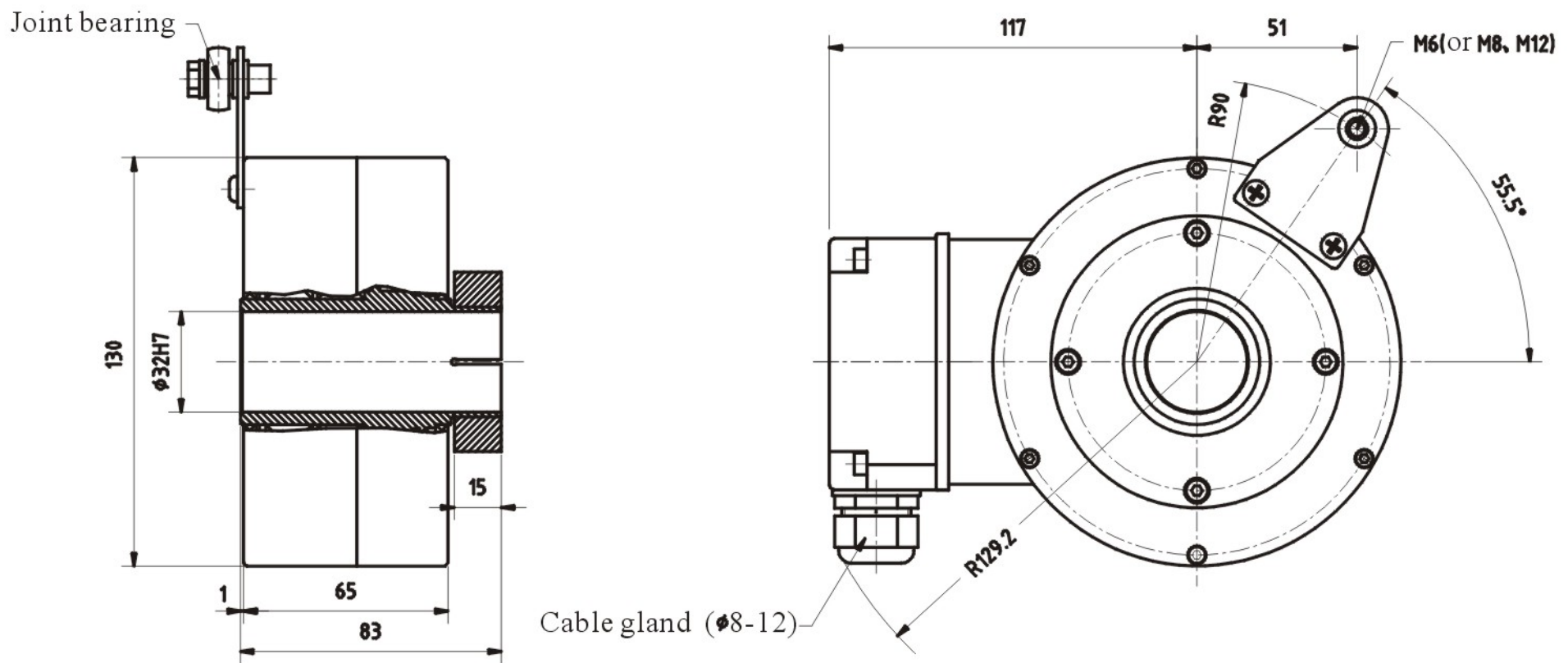
■ *Mechanical Specification*

Hollow shaft diameter	$\phi 32 - \phi 38mm$
Moment of inertia	$\approx 4900gcm^2$
Speed max	$\leq 6000r/min$
Driving torque	$\approx 15Ncm$
Maximum shaft load	Axial 300N; radial 500N
Vibration resistance	$\leq 10G/10 \sim 2000Hz$
Shock resistance	$\leq 200G/6ms$
Permissible encoder temperature	$-40^\circ C \sim +100^\circ C$
Protection class	IP56
Weight	$\approx 3.0Kg$

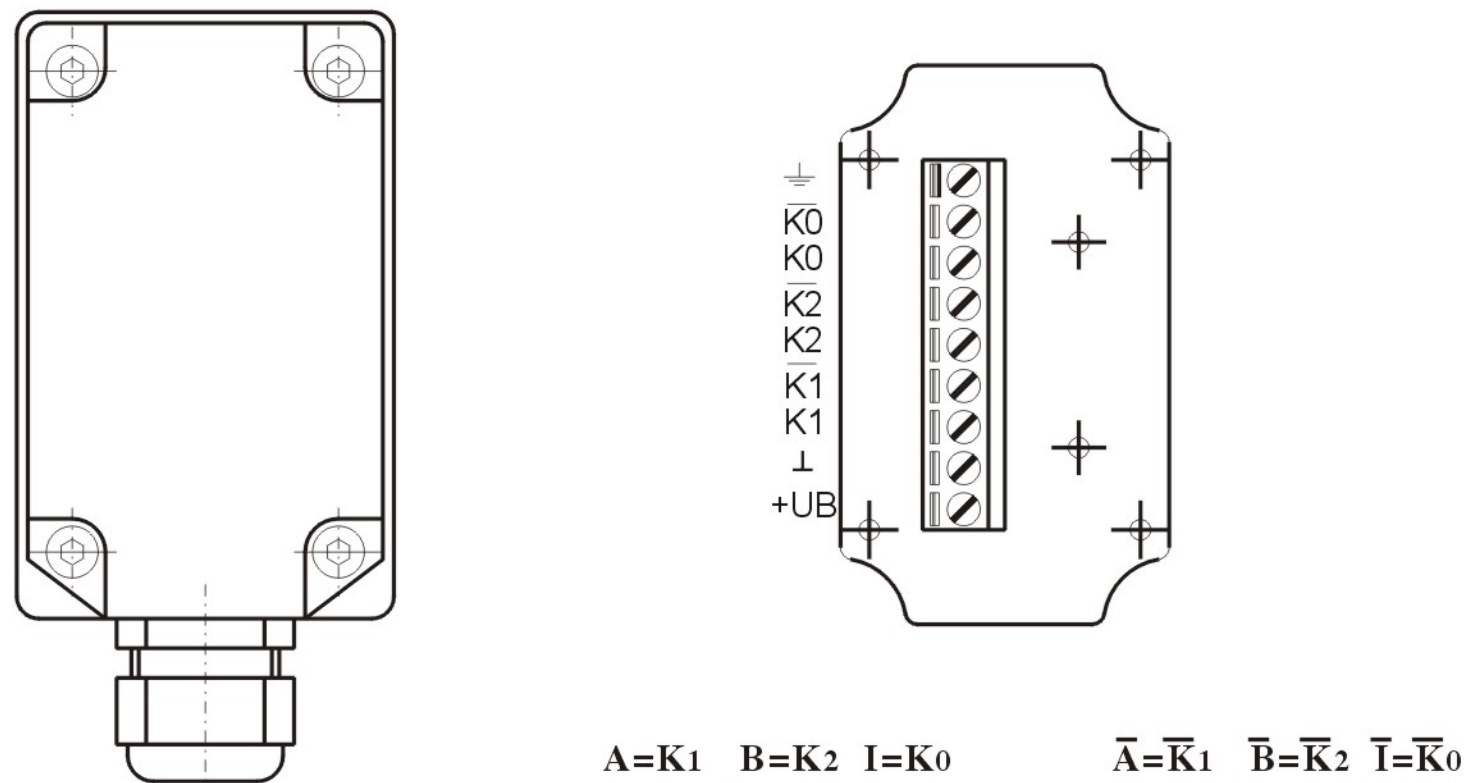
■ *Output Signals*



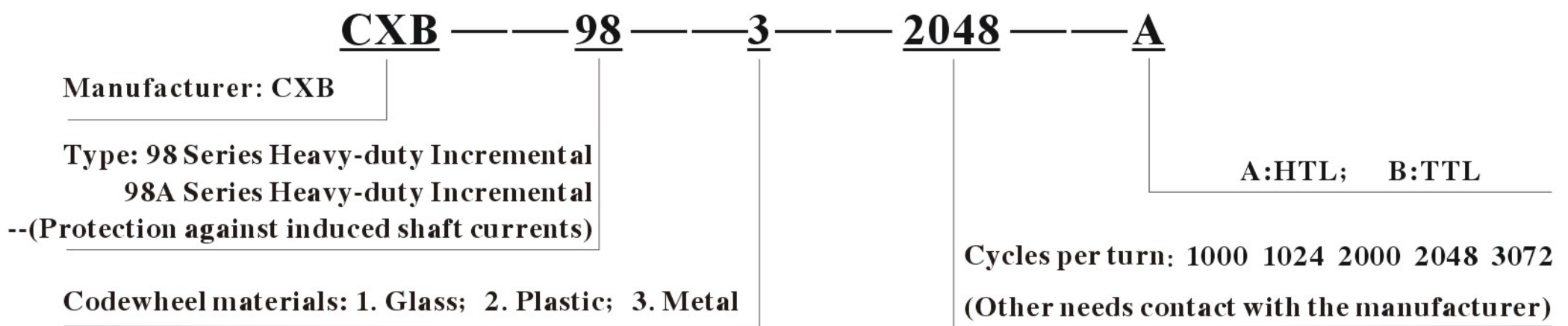
■ *Dimensions*



■ *Connection*



■ *Ordering Information*



Remarks: Technical modifications reserved.

Guarantee

2 years warranty within the conditions of Normal use and maintenance.



深圳市英科達光電技術有限公司
 Shenzhen ENCODER Optics-Electronics Technology Co., Ltd
 Tel: +86-0755-26683042; Fax: +86-0755-26686503
 E-mail: support@sz-encoder.com